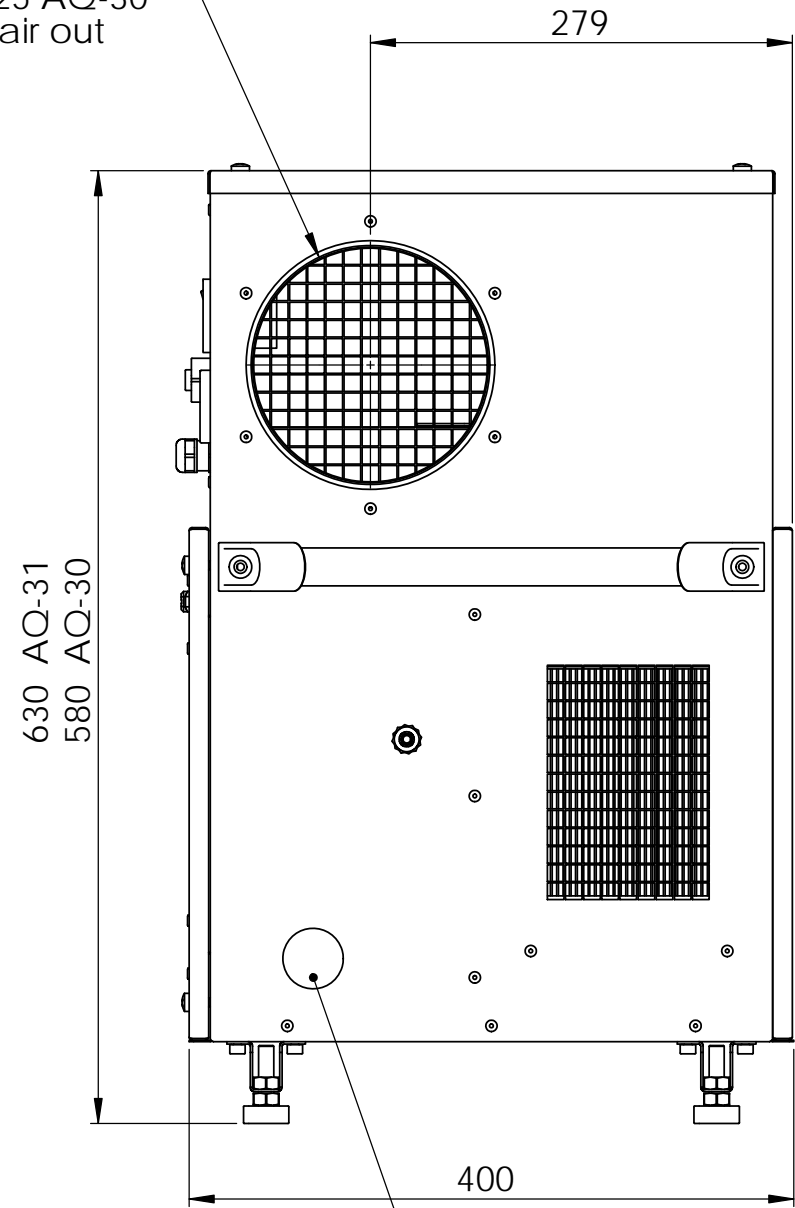
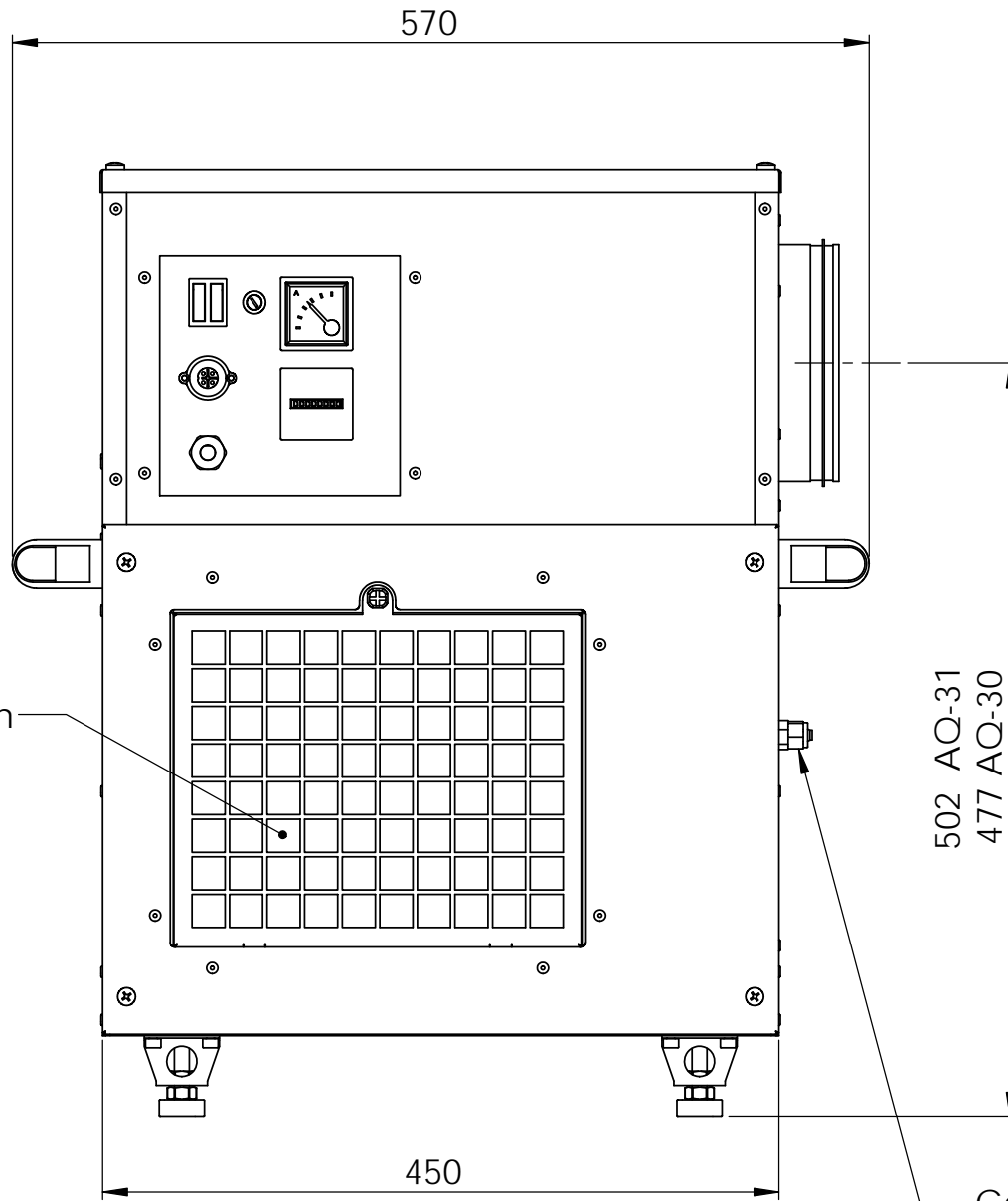


$\varnothing$  160 AQ-31  
 $\varnothing$  125 AQ-30  
 Dry air out



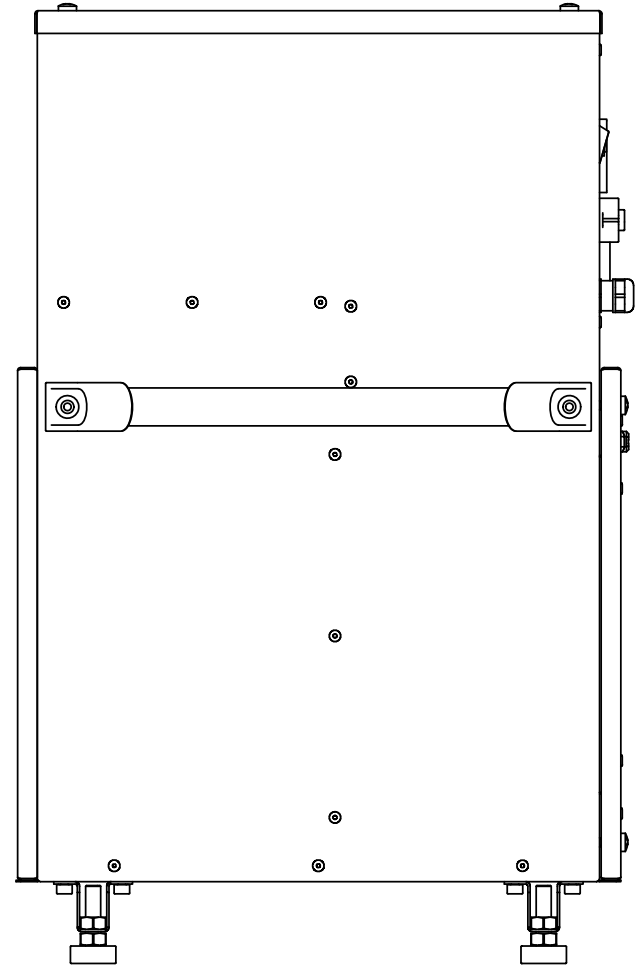
Inspection window  
water level switch

Proc air in



502 AQ-31  
477 AQ-30

Condensate water outlet  
Hose:  $\varnothing$  6,5 x  $\varnothing$  10



This document and its contents are the exclusive property of DST Seibu Giken and must not be copied, reproduced, transmitted or communicated to any other party or used for purposes not expressly permitted by us.



Seibu Giken DST AB  
 +46 8 445 77 20  
 www.dst-sg.com

Designed by	Stefan O	Date	2016-08-19
Drawn by	Stefan O	Date	2016-08-19
Approved by	-	Date	
Material		Thickness	t=
Status	Construction	Tolerance	ISO 2768-1m
Scale	1:5	Format	A3
Sheet/Sheet	1/1	Rev Part	00+
Weight (Kg)	34 / 38		

Title/Description		
<b>Dimensionsritning</b> Dimension drawing		
<b>AQ-30/-31</b>		
Drawing no	Rev	
<b>DST07367</b>	<b>00+</b>	