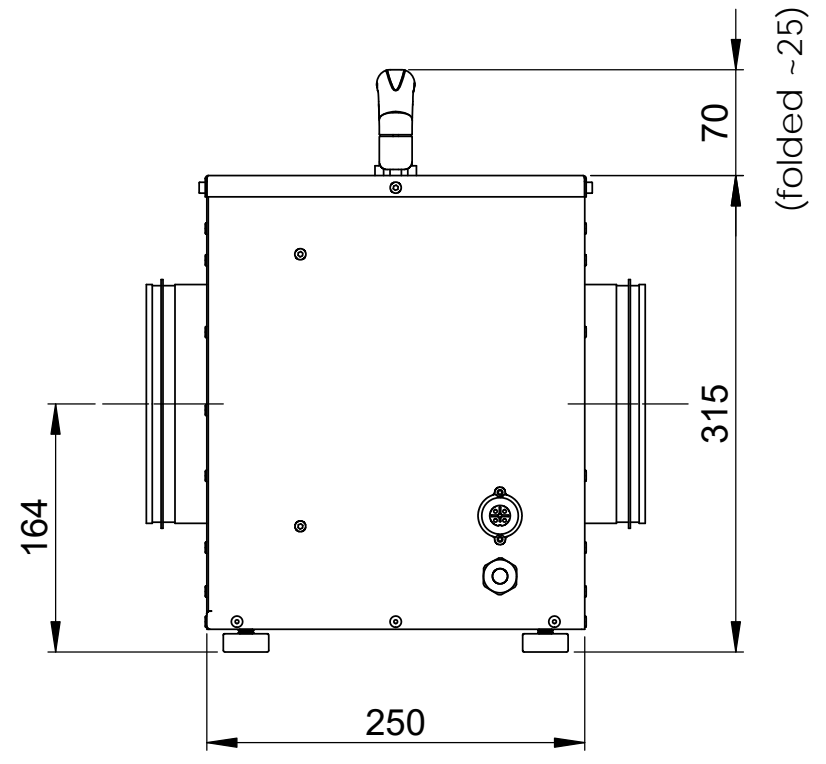
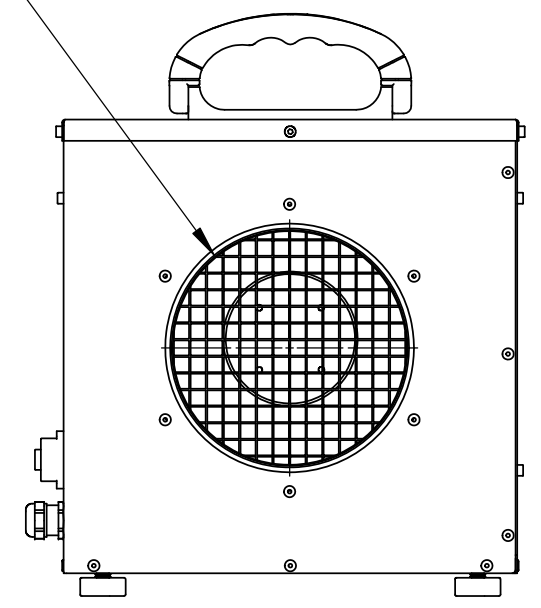
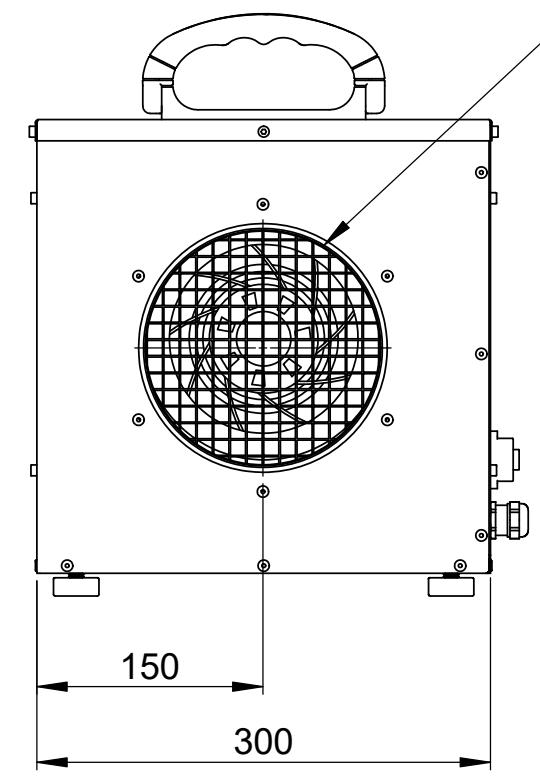


Ø 160  
Outlet



Ø 160  
Inlet



This document and its contents are the exclusive property of DST Seibu Giken and must not be copied, reproduced, transmitted or communicated to any other party or used for purposes not expressly permitted by us.



Seibu Giken DST AB  
+46 8 445 77 20  
www.dst-sg.com

|                                |                                 |   |                               |
|--------------------------------|---------------------------------|---|-------------------------------|
| Designed by<br><b>Stefan O</b> | Date<br><b>2014-03-19</b>       | Title/Description<br><b>Dimensionsritning<br/>Dimension drawing</b> |                               |
| Drawn by<br><b>Stefan O</b>    | Date<br><b>2014-03-19</b>       |   |                               |
| Approved by<br><b>-</b>        | Date<br><b>-</b>                | <b>PB-10/PB-20</b>  | Drawing no<br><b>DST05531</b> |
| Material<br><b>-</b>           | Thickness<br><b>t=</b>          |   |                               |
| Status<br><b>Construction</b>  | Tolerance<br><b>ISO 2768-1m</b> | Rev<br><b>00+</b>   |                               |
| Scale<br><b>1:5</b>            | Format<br><b>A3</b>             |   |                               |
| Sheet/Sheet<br><b>1/1</b>      | Rev Part<br><b>00+</b>          | Weight (Kg)<br><b>8</b>   |                               |