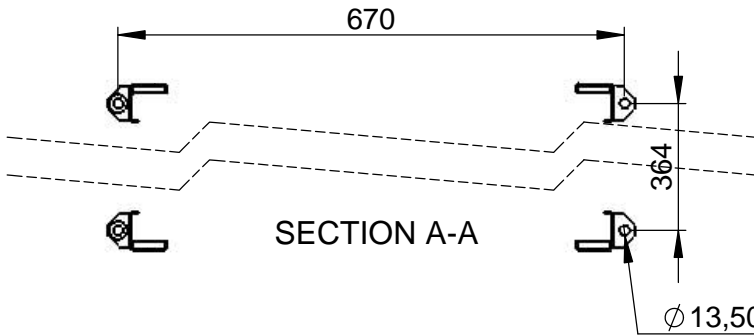
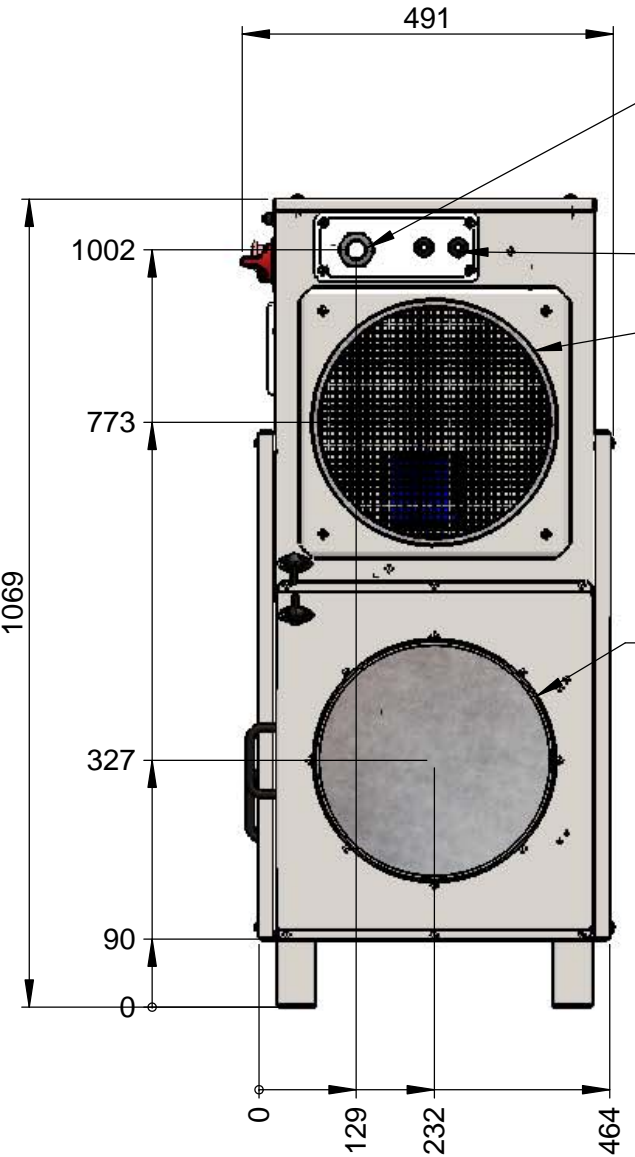


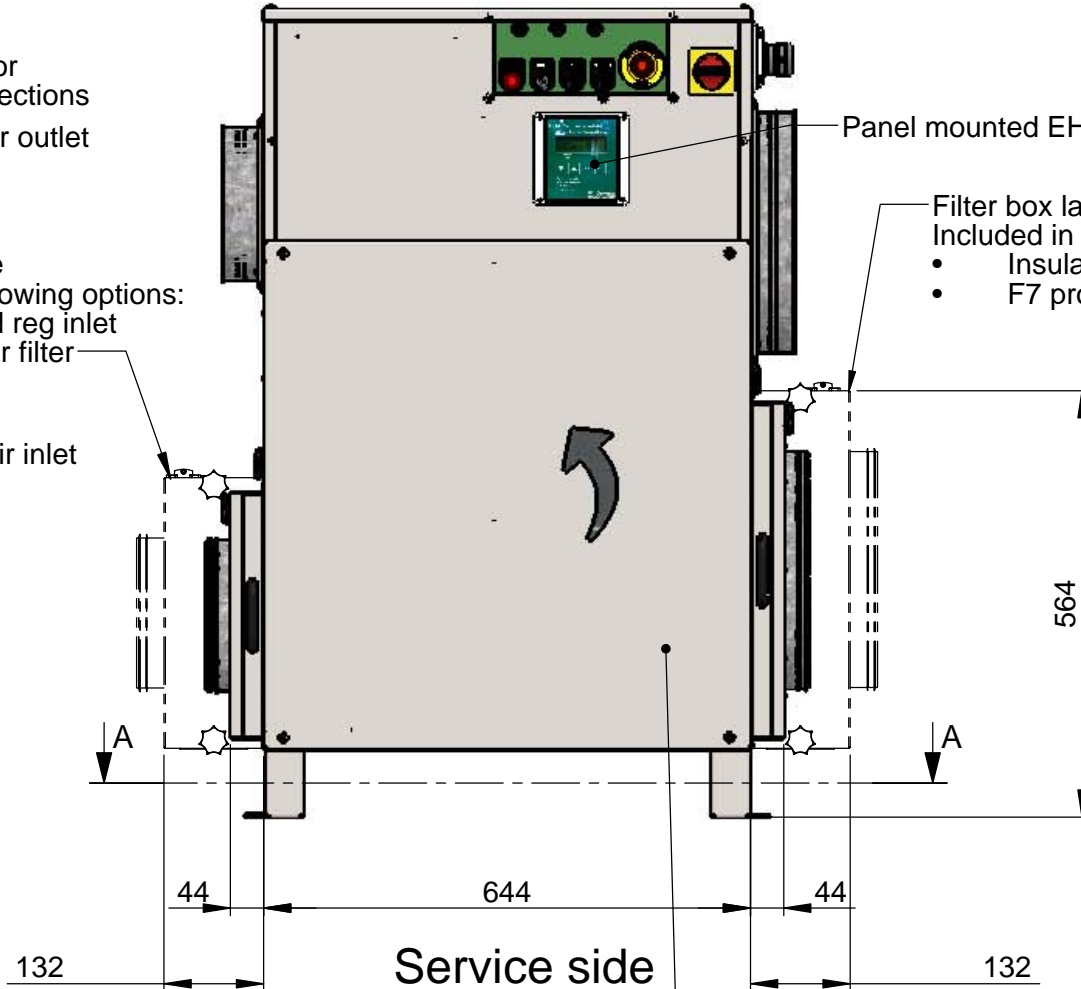
REVISIONS			
REV.	DESCRIPTION	DATE	APPROVED
01	Standard filterboxes introduced. Filterboxes F7 redesigned	2016-03-09	EL
02	Filterbox large info added. Panel mounted PLC C4 view added	2017-08-25	EL
03	Filter box handles updated, unit width added	2017-11-23	EL



Removable top cover
 Elcetrical cabinet access
 Service space above unit = 500 mm



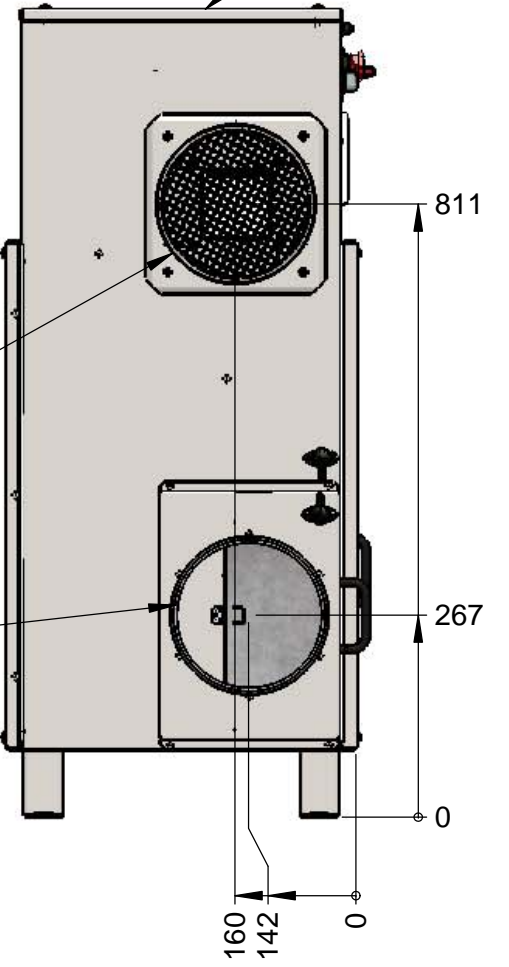
Electric supply
 Cable glands for customer connections
 Ø315 Dry air outlet
 Filter box large
 Included in following options:
 • Insulated reg inlet
 • F7 reg air filter
 Ø315 Process air inlet



Service side

Panel mounted EH3/EH4 (option)
 Filter box large
 Included in following options:
 • Insulated proc inlet
 • F7 proc air filter

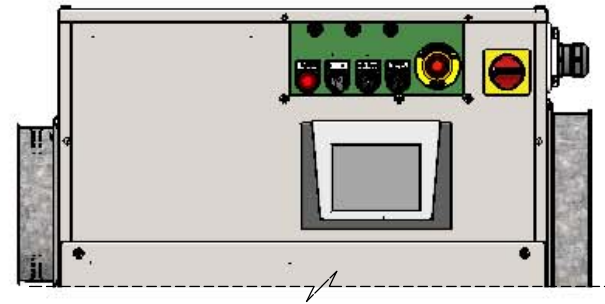
Ø200 Wet air outlet
 Ø200 Reg air inlet



Packaging dimensions:
 WxDxH = 850x600x1200
 Weight ~70 kg

Removable front cover
 rotor- and rotor motor access
 Service area in front of unit = 750mm x 750mm

Panel mounted PLC C4 (option)



This document and its contents are the exclusive property of DST Seibu Giken and must not be copied, reproduced, transmitted or communicated to any other party or used for purposes not expressly permitted by us.

		Designed by Erik L	Date 2013-10-31	Title/Description Dimensionsritning Dimension drawing
		Drawn by Erik L	Date 2014-03-10	
Seibu Giken DST AB +46 8 445 77 20 www.dst-sg.com		Approved by -	Date -	RL-60 R/LR Drawing no DST05145
		Material -	Thickness t=	
Scale 1:10	Format A3	Sheet/Sheet 1/4	Rev Part 02+	Weight (Kg) 68.000